




Tub and Shower

TRIM ONLY for Single shower Unit Requires separate order of R10000-UNWS Rough-in

Model No: T13H163

COMPLIES WITH:

- ASME A112.18.1 / CSA B125.1
- Pressure Balance Valve ASSE 1016
-  Indicates compliance to ICC/ANSI A117.1
- Pressure Balance lever handle ADA compliant to ICC/ANSI A117.1/ADA
- (Contact Delta Representative for State and/or Local Approvals)



NOTES:

T13H2 - MultiChoice™ Universal Pressure Balancing - Shower Valve & Diverter Spout

T13H3 - MultiChoice™ Universal Pressure Balancing - Shower Valve & Diverter Valve

SPECIFICATION:

- Polished chrome plated finish - Pressure Balance cartridge - Temperature only controlled with handle - Field adjustable to limit handle rotation into hot water zone
- Integral checks in the cartridge prevent crossflow between Hot and Cold water inlets.
- Cartridge rated minimum 1.2 gpm @ 45 psi (4.5 L/min @ 310 kPa).
- Non-Removable Blue/Red visual cover indicator for Cold, Mixing and Hot handle positions
- Handle#: 3 - Lever Blade Handle - ADA compliant-57 mm (2.24")
- #6 Shower - 30° Vandal Resistant Cast Wallmount Showerhead
- #6 Shower Flow Rate MAX: 1.5 GPM @ 80 PSI (5.7 L/min @ 552 kPa)
- #6 Shower Flow Rate MIN: 1.4 GPM @ 45 PSI (5.3 L/min @ 310 kPa)

OPERATION:

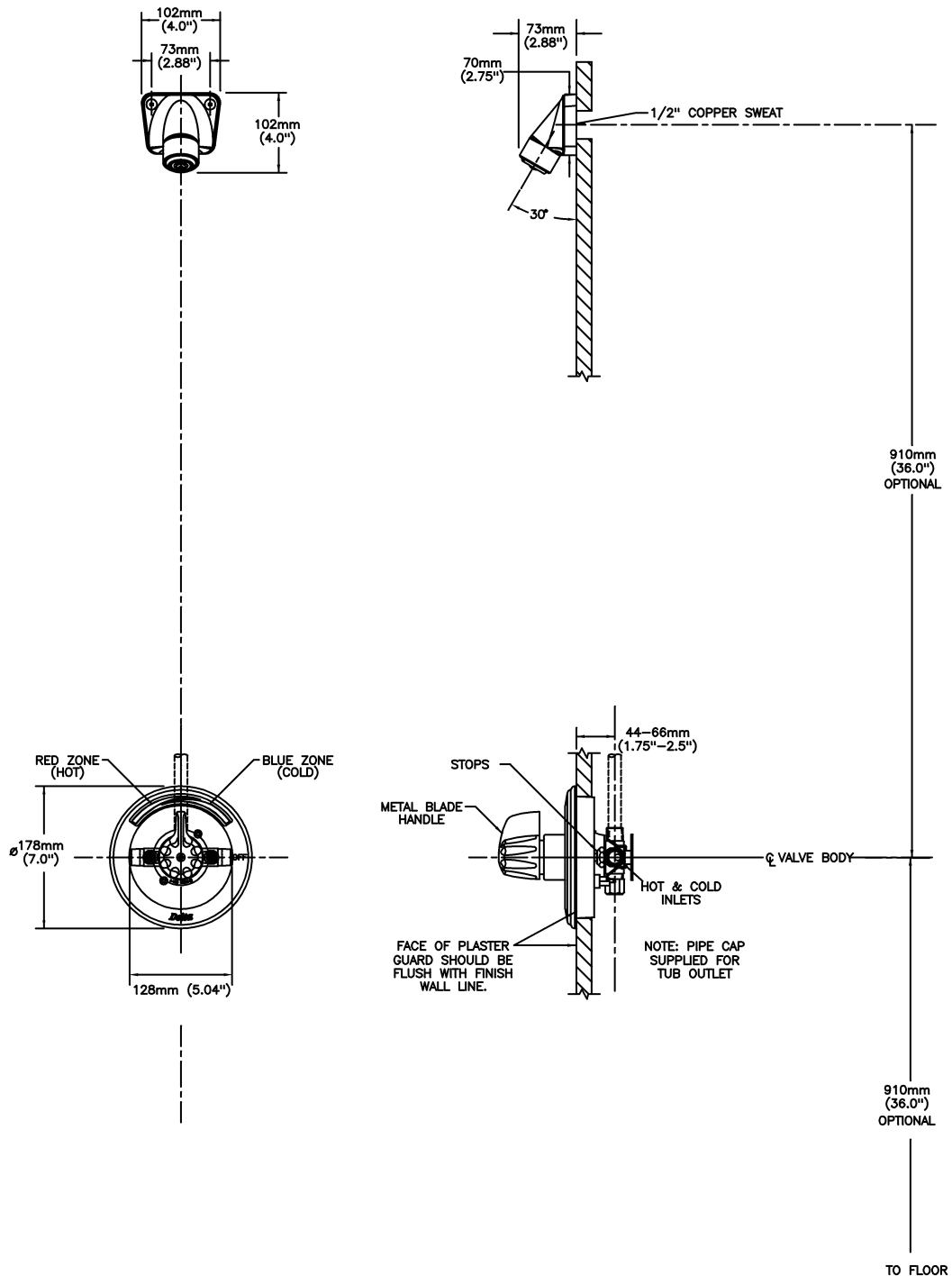
- **NOTE FOR SHOWER #6: Not for use as anti-ligature device.**

(Dimensional drawing on following page)

Delta reserves the right (1) to make changes to specifications and materials, and (2) to change or discontinue models, both without notice or obligation. Dimensions are for reference. Measurement may vary plus or minus 6mm(0.25"). Mounting locations are suggested only. Check with local codes for requirements in your area. This spec was produced April 15, 2021.

Delta Faucet Company - 55 East 111th St. - Indianapolis, Indiana, USA 46280 - (317) 848-1812
Delta Faucet Canada - 395 Matheson Blvd E - Mississauga, Ontario, Canada L4Z 2H2 - (905) 712-3030

Model No: T13H163



Delta reserves the right (1) to make changes to specifications and materials, and (2) to change or discontinue models, both without notice or obligation. Dimensions are for reference. Measurement may vary plus or minus 6mm(0.25"). Mounting locations are suggested only. Check with local codes for requirements in your area. This spec was produced April 15, 2021.

Delta Faucet Company - 55 East 111th St. - Indianapolis, Indiana, USA 46280 - (317) 848-1812
 Delta Faucet Canada - 395 Matheson Blvd E - Mississauga, Ontario, Canada L4Z 2H2 - (905) 712-3030